



2019
PRODUCT
CATALOGUE

VIKAN TRANSPORT CLEANING RANGE

AUSTRALIA

call +61 3 9699 8999
fax +61 3 9699 7962
email sales@wrdwells.com
website wrdwells.com

NEW ZEALAND

call +64 9 263 9332
fax +64 9 263 6553
email sales@wellshygiene.co.nz
website wellshygiene.co.nz



VIKAN TRANSPORT CLEANING RANGE

Vikan's Transport Cleaning Range incorporates innovative and functional design for efficient and effective cleaning of the interior and exterior of all vehicles, from cars, buses, and trucks, to commercial trains and planes. Vikan vehicle brushes are ergonomic, durable and safe to use on all kinds of vehicles.



Vikan commercial vehicle and workshop cleaning range is distributed in Australia and NZ by WR&D Wells and Wells Hygiene respectively.



Manufactured by Vikan, in Denmark, no other range of vehicle/workshop cleaning tools are as durable, functional and easy to use.



Distributed by:

AUSTRALIA

W R & D Wells Pty Ltd
Unit 2, 77 Salmon Street,
PORT MELBOURNE VIC 3207

Sales Enquiries
P. 03 9699 8999
F. 03 9699 7962
E. sales@wrdwells.com

NEW ZEALAND

Wells Hygiene Ltd
9A Joval Place,
WIRI, AUCKLAND NZ 2104

Sales Enquiries
P. 09 263 9332
F. 09 263 6553
E. sales@wellshygiene.co.nz





CONTENTS

Vehicle Washing Brushes Vehicle Washing Brushes - Rotating & Angled Vehicle Washing Hand Brushes	6
Wheel & Rim Brushes Workshop & Garage Brooms Workshop Brushes, Dustpan & Shovels	7
Detail & Touch Up Brushes Microfibre Cleaning Cloths & Wash Mitt Vikan 'Easy Shine' Window Mop Kit	8
Vikan Transport Starter Kit Vehicle Interior Brushes Wipe n Shine Squeegees Floor Squeegees & Window Scraper Sponges	9
Ergonomic Handles - Standard (Fixed) Hose Couplings & Adaptors	10
Ergonomic Handles - Telescopic (Adjustable) Wash Down Hose Reel Trigger Operated Water Gun Hose Couplings & Adaptors	11
Workshop/Equipment Storage Solutions - Vikan Wall Bracket System Toolflex Original Bracket System	12
Toolflex One - Universal Holder	13

Vehicle Washing Brushes



	Vehicle Brush - Small	Vehicle Brush - Medium	Vehicle Brush - Large
Product Code:	28/T526952	28/T475552	28/T475752
Dimensions:	120 x 230 x 100mm	130 x 270 x 100mm	120 x 370 x 100mm
Bristle Type:	Soft/Split	Soft/Split	Soft/Split
Materials:	PP, PBT	PP, PBT	PP, PBT



All wash brushes incorporate a soft rubber edge to ensure they are safe to use on vehicle paint work.

Vehicle Washing Brushes - Rotating & Angled



	Rotating Brush	High Low Brush
Product Code:	28/T526852	28/T524752
Dimensions:	160 x 250 x 130mm	90 x 280 x 150mm
Bristle Type:	Soft/Split	Soft/Split
Materials:	PP, PBT	PP, PBT



The High Low Brush is perfect for cleaning up high as well as at waist height.

Vehicle Washing Hand Brushes



	Ergonomic Hand Brush	Short Handle Standard Brush	Long Handle Standard Brush	Hand Brush
Product Code:	28/T524652	28/T522752	28/T522252	28/T525452
Dimensions:	130 x 320 x 115mm	115 x 275 x 95mm	65 x 420 x 65mm	105 x 360 x 60mm
Bristle Type:	Soft/Split	Soft/Split	Soft/Split	Soft/Split
Materials:	PP, PBT	PP, PBT	PP, PBT	PP, PBT

Wheel & Rim Brushes



	Large Wheel Brush	Multi Brush	Rim Cleaner	Rim Cleaner
Product Code:	28/T545252	28/T525252	28/T525052	28/T525352
Dimensions:	105 x 240 x 160mm	100 x 290 x 70mm	65 x 65 x 320mm	65 x 65 x 335mm
Bristle Type:	Soft/Split	Soft/Split	Soft	Stiff
Materials:	PP, PBT	PP, PBT	PP, Hair	PP, PBT

Workshop & Garage Brooms



	Workshop Broom - 440mm	Garage Broom- 440mm	Garage Broom 665mm
Product Code:	17/E2018	28/T311552	28/T311752
Dimensions:	115 x 440 x 70mm	140 x 440 x 80mm	145 x 665 x 70mm
Bristle Type:	Stiff	Stiff	Stiff
Materials:	PP / PVC	Wood / PVC	Wood / PVC

Workshop Brushes, Dustpan & Shovels



	Workshop Nail Brush	Bannister Brush	Workshop Dustpan	Shovel
Product Code:	28/T644052	28/T450252	28/T558552	28/T561552
Dimensions:	40 x 120 x 45mm	110 x 330 x 40mm	90 x 245 x 350mm	175 x 951 x 271mm
Bristle Type:	Stiff	Soft	-	-
Materials:	PP, PBT, SS	PP, PBT	S	PP, AL

Detail & Touch Up Brushes



Detail Brush, Set of 7



Detail Brush, Set of 2



Detail Brush, Set of 5

Product Code:	28/T556052	28/T556452	28/T556152
Dimensions:	15 x 140 x 70mm	35 x 390 x 50mm	75 x 220 x 115mm
Bristle Type:	Soft	Soft	Soft
Materials:	PP, PE	PP, PE	Wood, Hair Mix

Microfibre Cleaning Cloths & Wash Mitt



Vikan Microfibre Interior Cloth



Vikan Glass Lustre Cloth



Wells Microfibre Wash Mitt

Product Code:	17/E69113+	17/E69154+	14/WP054
Dimensions:	400 x 400mm	400 x 400mm	250 x 160mm



Vikan 'Easy Shine' Window Mop Kit



Product Code:	17/E549101
Pack Inclusions:	5 x window mops 5 x lustre cloth 1 x spray bottle 1 x mop frame 1 x telescopic handle

CLEANING LARGE WINDOWS?

The Vikan 'Easy Shine' cleaning kit is ideal for cleaning all large inside windows of buses and trucks.

Vikan unique microfibre window mops and cloths leave glass surfaces brilliantly clean & streak free, in easy to use ergonomic system.



Vikan Transport Starter Kit



GREAT STARTER PACK

Product Code:	28/T990052
Pack Inclusions:	1 x Rim Brush 2 x Hand Brushes 1 x Vehicle Brush 1 x Telescopic Handle

Vehicle Interior Brushes



	Upholstery Brush	Interior Brush
Product Code:	28/T450052	28/T631559
Dimensions:	90 x 330 x 35mm	22 x 155mm
Bristle Type:	Stiff	Medium
Materials:	PP, PBT	PP, Hair

Wipe n Shine Squeegees



	Window Squeegee	Window Squeegee	Window Squeegee
Product Code:	28/T707752	28/T707852	28/T707952
Dimensions:	45 x 250 x 210mm	47 x 350 x 200mm	50 x 450 x 190mm
Materials:	POM / SEBS	POM / SEBS	POM / SEBS



Wipe n Shine Window Squeegees can be used hand held and also incorporate a thread to enable use on Vikan telescopic wash handles.

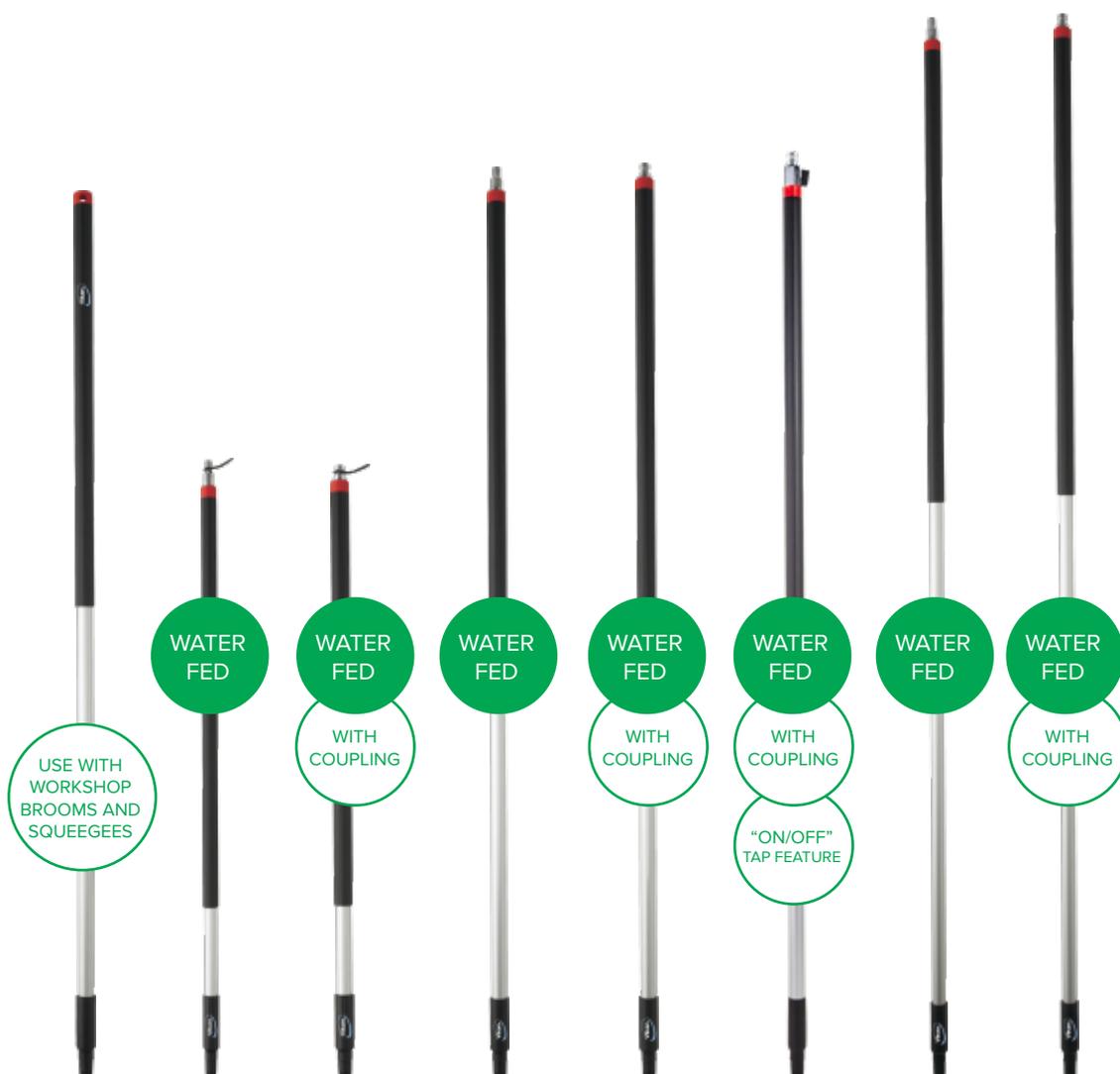
Floor Squeegees & Window Scraper Sponges

SUITS HANDLE
28/T293752



	Floor Squeegee - 400mm	Floor Squeegee - 600mm	Standard Sponge/Scraper	Telescopic Sponge/Scraper
Product Code:	28/T70885240	28/T70885260	28/T473752	28/T473952
Dimensions:	95 x 400 x 60mm	95 x 610 x 60mm	55 x 515 x 100mm	65 x 710-1250 x 80mm
Materials:	PP / RB	PP / RB	PP / RB	AL / PA

Ergonomic Handles - Standard (Fixed)



All handles:
Ø 31mm

Product Code:	28/T293752	28/T299252	28/T299252Q	28/T299152	28/T299152Q	28/T299552Q	28/T299752	28/T299752Q
Dimensions:	1505mm	1025mm	1010mm	1565mm	1545mm	1575mm	1935mm	1920mm
Materials:	PP, AL	PP, AL	PP, AL	PP, AL	PP, AL	PP, AL	PP, AL	PP, AL

Hose Couplings & Adaptors



Hose Coupling
for 1/2" hose

Hose Coupling
for 3/4" hose

Hose Coupling
with Swivel Joint 1/2"

Auto Watertight
Coupling 1/2"

Adapter Gardena/
Hozelock/Quick
Coupling, 1/2"

Product Code:	28/00701	28/00716	28/00706	28/00703	27/T070752
Materials:	CPB	CPB	CPB	CPB	CPB
Temperature:	80 °C / 25 bar	80 °C / 25 bar	80 °C / 25 bar	80 °C / 25 bar	80 °C / 25 bar

Ergonomic Handles - Telescopic (Adjustable)



All handles:
Ø 32mm

Product Code:	28/T297152	28/T297152Q	28/T297352	28/T297352Q	28/T297552
Dimensions:	1080-1600mm	1060-1600mm	1615-2840mm	1600-2840mm	1575-2800mm
Materials:	PP, AL	PP, AL	PP, AL	PP, AL	PP, AL

Wash Down Hose Reel



Product Code:	55/RC1005
Hose Length:	15m x 1/2" Ø

* Comes with handle & wall mount bracket and 28/00701 female coupling.

Trigger Operated Water Gun



Product Code:	28/93249
Dimensions:	170 x 145 x 55mm
Temperature:	95 °C / 25 bar

* Requires male coupler 28/00712 see below.

Hose Couplings & Adaptors



	Male Coupling 1/2" for 1/2" Hose	Male Coupling 3/4" for 3/4" Hose	Male to Male Coupling 1/2"	Tap Coupling, Male with Reducer 1/2"	Gardena Adapter with Thread 1/2"
Product Code:	28/00712	28/00715	28/00705	28/00700	28/T070952
Materials:	CPB	CPB	CPB	CPB	CPB
Temperature:	80 °C / 25 bar	80 °C / 25 bar	80 °C / 25 bar	80 °C / 25 bar	80 °C / 25 bar

Modular storage solutions.

Vikan's modular wall bracket system is fully expandable to suit your tool and workshop requirements. It is also robust and long lasting to meet the demands of your workshop or wash bay.

Vikan Wall Bracket System



	Wall Bracket 1-3 Products	Wall Bracket 4-6 Products	Wall Bracket 3 Products
Product Code:	28/10179	28/10189	28/006159
Dimensions:	60 x 160 x 80mm	60 x 395 x 80mm	60 x 240 x 170mm
Materials:	PP, RB	PP, RB	PP

Want more options?

Toolflex's tool holder system is extremely versatile and is available in range of sizes and can be equipped with a wide range of tool holders and hooks.

Toolflex Original Bracket System



	Tool Holder Pack (2x)	Tool Hook Pack (2x)	Wall Bracket 3 Products	Wall Bracket 5 Products
Product Code:	28/TF0512-1	28/TF0587-1	28/TF0555-1	28/TF0556-1
Inclusions:	2 x 20-30mm holders	2 x hooks	500mm rail 20 – 30mm holders x 2 30 – 40mm holders x 1	900mm rail 20 – 30mm holders x 3 30 – 40mm holders x 2
Materials:	PP, RB	PP	PP, RB, AL	PP, RB, AL

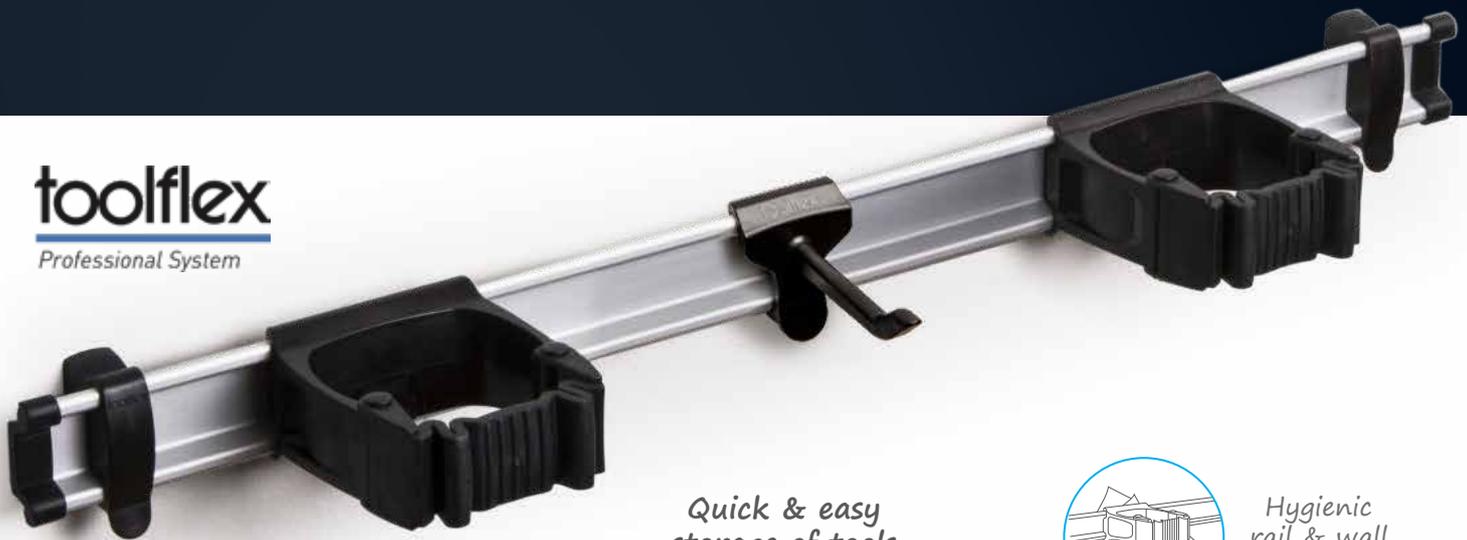
TOOLFLEX ONE UNIVERSAL HOLDER

A place for everything & everything in its place!

SPECIFICATION:

Material:	Aluminium, POM, PP & TPE	
Product Codes:	18/TF015+	Toolflex One 54 cm Rail with 3 x Tool Holders
	18/TF019+	Toolflex One 94 cm Rail with 5 x Tool Holders
	18/TF012+	Toolflex One Tool Holder 2-Pack
	28/TF01H3+	Toolflex One Hooks 3-Pack

Simple to adjust.
Install direct to wall.
Available in eight colours.

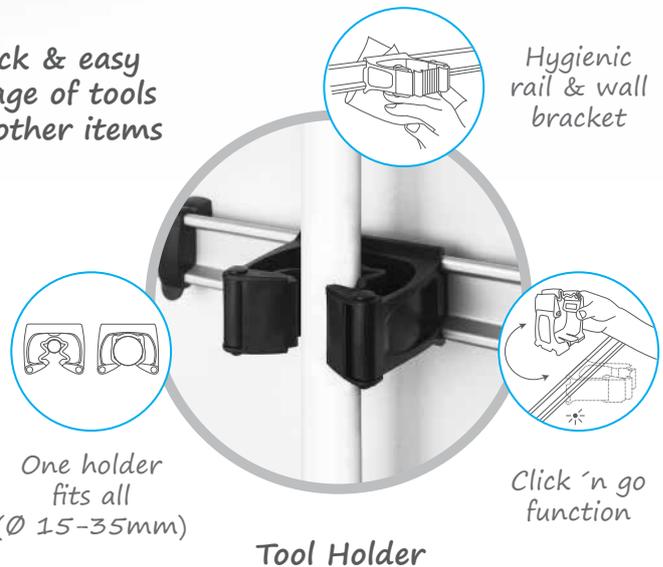


toolflex
Professional System

Quick & easy
storage of tools
and other items

Available in 2 configurations:

- 540 mm aluminium rail with 3x tool holders
- 940 mm aluminium rail with 5x tool holders



Toolflex One is designed to be the ultimate tool holder system. It is the result of advanced production technology, Scandinavian design and above all a comprehensive focus on hygiene, functionality and user-friendliness.



For **AUSTRALIAN ORDERS**, pricing, enquiries or the location of your nearest Distributor, please email us at sales@wrldwells.com, call us on +61 3 9699 8999 or fax on +61 3 9699 7962.

For **NEW ZEALAND ORDERS**, pricing, enquiries or the location of your nearest Distributor, please email us at sales@wellshygiene.co.nz, call us on +64 9 263 9332 or fax on +64 9 263 6553.

ORDER FORM

Your Details

Company Name: _____ Trading Name: _____

ABN: _____ ACN: _____

Contact person: _____ Position: _____

Contact person's email: _____

Postal address: _____ State: _____ Postcode: _____

Phone: _____ Fax: _____

Please supply the following items

	Code	Description	QTY	Unit Price	\$ Price
1					
2					
3					
4					
5					
6					
7					
8					
9					
10					
11					
12					
13					
14					
15					
16					
17					
18					
19					
20					
21					
22					
23					
24					

TOTAL (including GST) \$ _____

Payment Details

Account Please invoice my account. Customer Account No. _____ (if known)

Credit Card VISA MasterCard

--	--	--	--	--

--	--	--	--	--

--	--	--	--	--

--	--	--	--	--

 Expiry: ____/____/____

Cardholder's Signature: _____ Cardholder's Full name: _____

Signed on behalf of the Applicant The undersigned is hereby authorized to order the above listed goods on behalf of the company listed on this order form.

Signature: _____ Print name: _____ Position: _____ Date: ____/____/____

Distributed by:

AUSTRALIA

W R & D Wells Pty Ltd
Unit 2, 77 Salmon Street,
PORT MELBOURNE VIC 3207

Sales Enquiries
P. 03 9699 8999
F. 03 9699 7962
E. sales@wrdwells.com

NEW ZEALAND

Wells Hygiene Ltd
9A Joval Place,
WIRI, AUCKLAND NZ 2104

Sales Enquiries
P. 09 263 9332
F. 09 263 6553
E. sales@wellshygiene.co.nz

